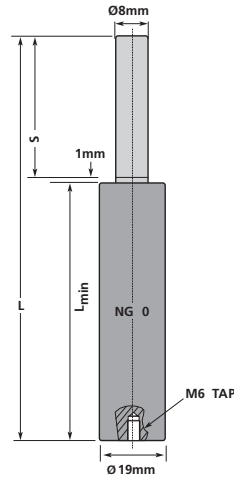


MINI NITRO SPRINGS NG0, NG1 & NG2 RANGE

NG0 19mm Ø Mini Nitro Springs

Type	Stroke	L	Lmin
NG0	7	56	49
	10	62	52
	15	72	57
	25	92	67
	38,1	118,2	80,1
	50	142	92
	63,5	169	105,5
	80	202	122



NG0 RANGE

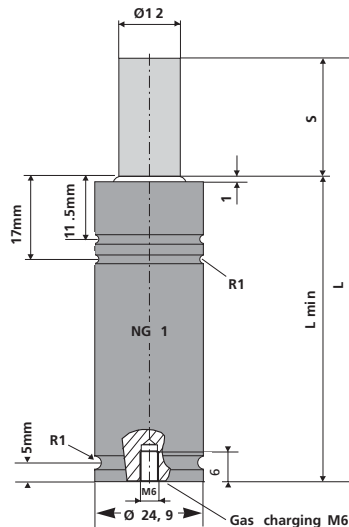
NG0 Mini Nitro Springs Part Number & Force Table

Type/Part Number	Charging Pressure (bar)	Force in N +20°		Colour
		Initial	Max.	
NG0-060-xxx	60	300	525	Green
NG0-100-xxx	100	500	800	Blue
NG0-140-xxx	140	700	1050	Red
NG0-180-xxx	180	900	1350	Yellow

Where xxx is, insert stroke required.
Special pressures can be produced on request.

NG1 25mm Ø Mini Nitro Springs

Type	Stroke	L	Lmin
NG1	10	62	52
	12,7	67,4	54,7
	15	72	57
	16	74	58
	25	92	67
	38,1	118,2	80,1
	50	142	92
	63,5	172	108,5
	80	205	125
	100	245	145
	125	295	170



NG1 RANGE

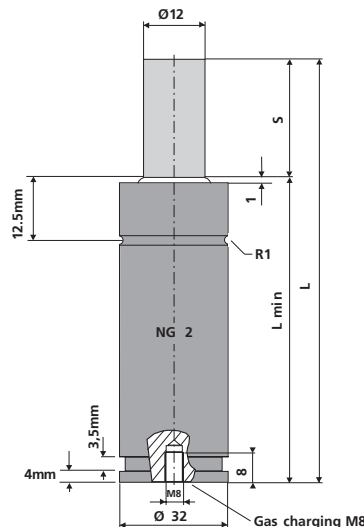
NG1 Mini Nitro Springs Part Number & Force Table

Type/Part Number	Charging Pressure (bar)	Force in N +20°		Colour
		Initial	Max.	
NG1-050-xxx	45	500	655	Green
NG1-100-xxx	90	1000	1310	Blue
NG1-150-xxx	135	1500	1965	Red
NG1-200-xxx	180	2000	2620	Yellow

Where xxx is, insert stroke required.
Special pressures can be produced on request.

NG2 32mm Ø Mini Nitro Springs

Type	Stroke	L	Lmin
NG2	10	70	60
	12,7	75,4	62,7
	16	82	66
	25	100	75
	38,1	126,2	88,1
	50	150	100
	63,5	177	113,5
	80	210	130
	100	250	150
	125	300	175



NG2 RANGE

NG2 Mini Nitro Springs Part Number & Force Table

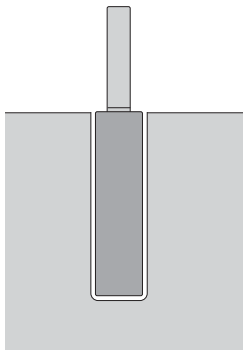
Type/Part Number	Charging Pressure (bar)	Force in N +20°		Colour
		Initial	Max.	
NG2-050-xxx	45	500	655	Green
NG2-100-xxx	90	1000	1310	Blue
NG2-150-xxx	135	1500	1965	Red
NG2-200-xxx	180	2000	2620	Yellow

Where xxx is, insert stroke required.
Special pressures can be produced on request.

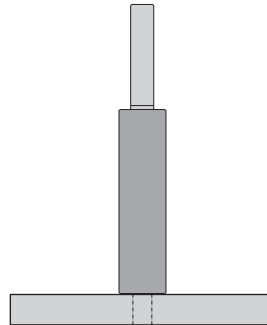
N.B. Please note that although NG1 & NG2 models give the same force, we recommend the NG1 Series as they are more compact compared to the NG2 ISO size



NG0 RANGE Mounting Examples



Drop-in Pocket



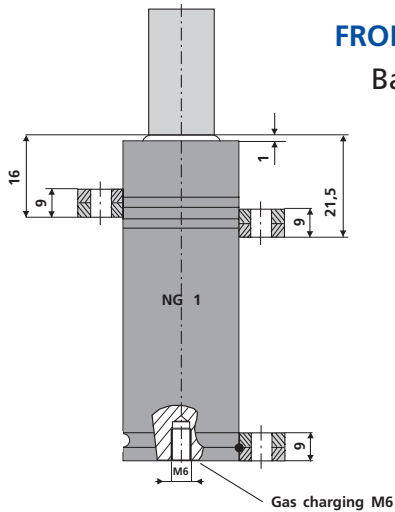
Tapped Hole

GAS SPRING DATA

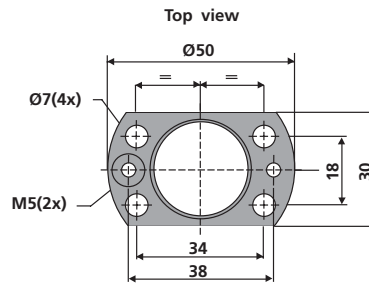
Use only Nitrogen.
 Max. Pressure 180 Bar.
 Min. Pressure 45 Bar.
 Max. Piston Velocity 38m/min.
 Max Side Force 0.20⁰

NG1 RANGE FRONT FLANGED & BASE FLANGED

Base mounting by M6 thread.

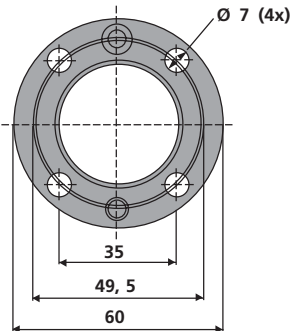
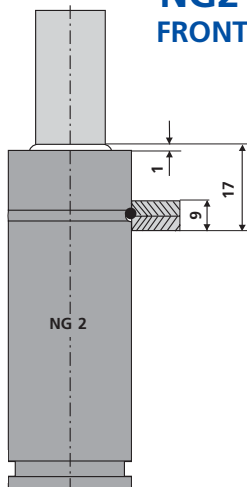


Gas charging M6



Part No: NG1FF

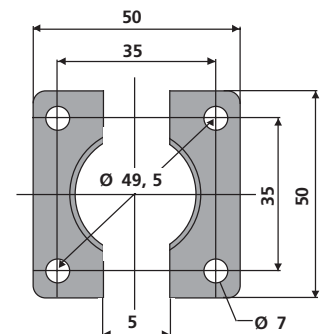
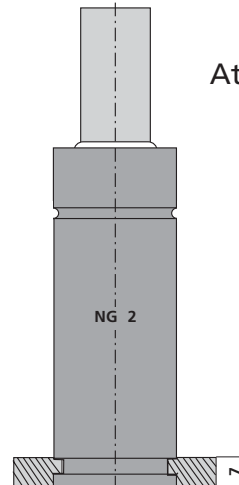
NG2 RANGE FRONT FLANGED



Part No: NG2FF

NG2 RANGE SQUARE FLANGE

Attachment by M8 thread.



Part No: NG2SF

