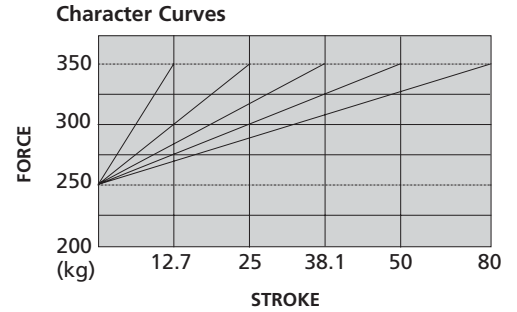
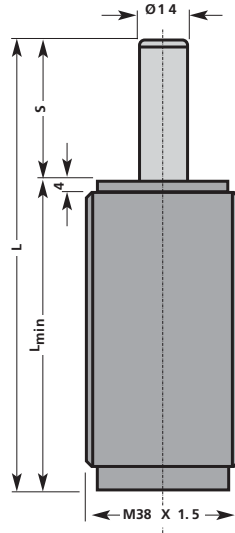


MINI NITRO SPRINGS NG3 RANGE

NG3 RANGE

NG3 38mm Ø
Mini Nitro Springs

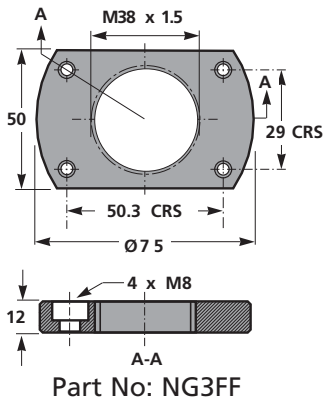
| Type | Stroke | L | Lmin |
|------|--------|-------|-------|
| NG3 | 10 | 70 | 60 |
| | 12,7 | 75,4 | 62,7 |
| | 16 | 82 | 66 |
| | 25 | 100 | 75 |
| | 38,1 | 126,2 | 88,1 |
| | 50 | 150 | 100 |
| | 63,5 | 177 | 113,5 |
| | 80 | 210 | 130 |
| | 100 | 250 | 150 |



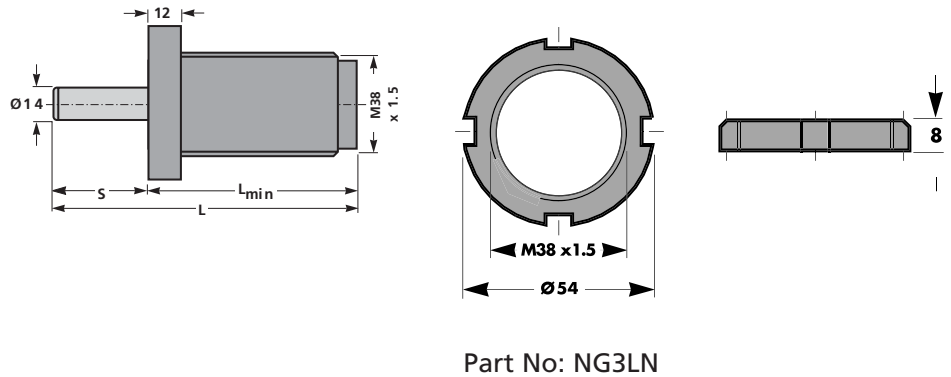
How to Order:

Part No: NG3 - 250 - xxx
Where xxx is, insert stroke required.
N.B. Special pressures by request.

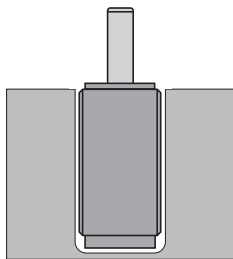
NG3 RANGE FRONT FLANGED



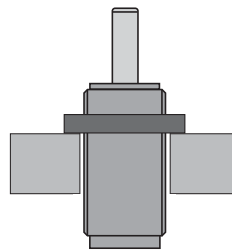
NG3 RANGE LOCK NUT



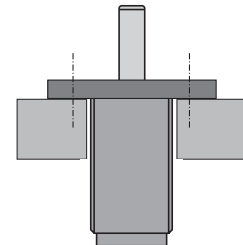
NG3 RANGE MOUNTING POSSIBILITIES



Drop-In Pocket



Lock Nut



Flange Mount

GAS SPRING DATA

Use only Nitrogen.
Maximum Pressure 150 Bar.

Minimum Pressure 50 Bar.
Maximum Piston Velocity 38m/min.
Max Side Force 0.20°

N.B. Gas springs are charged to 150 Bar, unless otherwise specified.