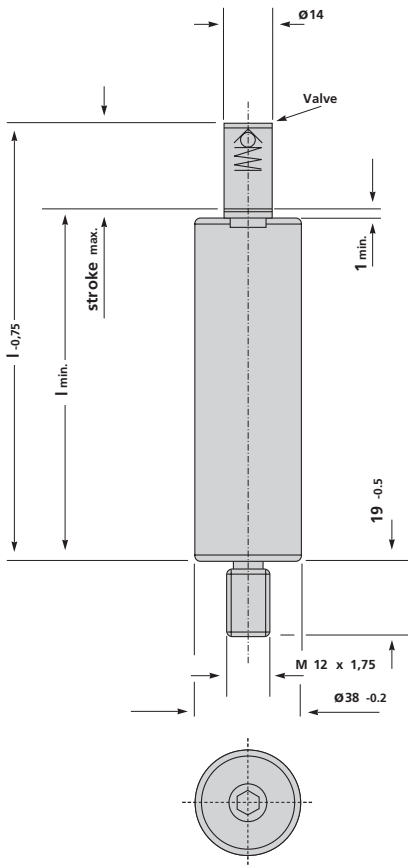
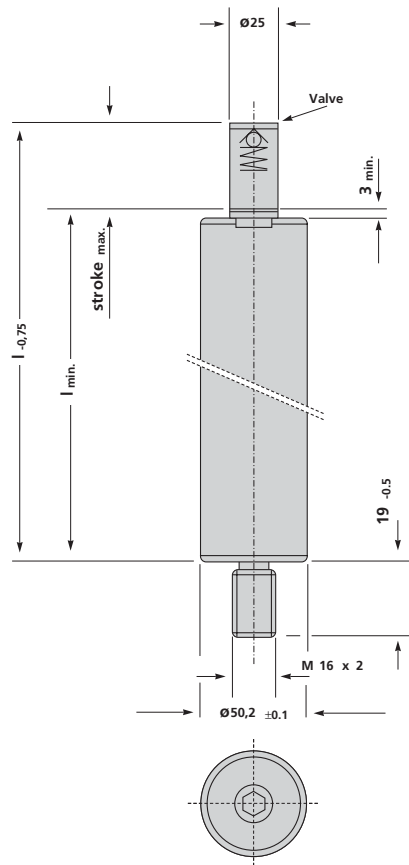


RT REAR THREADED RANGE

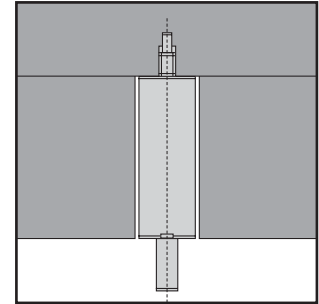
RT 0250



RT 0750

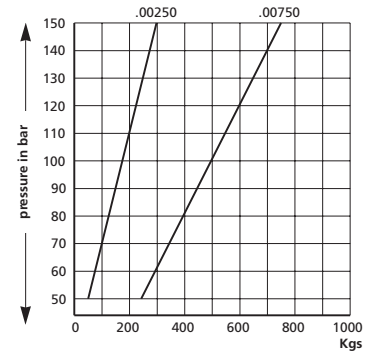


MOUNTING EXAMPLES



GAS SPRING DATA

Use only Nitrogen.
 Max. Pressure 150 Bar.
 Min. Pressure 50 Bar.
 Max. Piston Velocity 38m/min.
 Max Side Force 0.20°



RT 0250 and RT 0750

Spring Type/ Part Number	Spring Force N (lbs)		Piston Ø mm	Body Ø mm	C mm	Max. stroke PS.	L min	L +0 -1	Service Kit
	Initial	Maximum							
RT 0250/13	2500 N	4100 N	14	38		12.7	62.7	75.4	38-16-01
RT 0250/25	(550)	(9020)				25	75	100	
RT 0250/38						38.1	88.1	126.2	
RT 0250/50						50	100	150	
RT 0250/63						63.5	113.5	177	
RT 0250/80						80	130	210	
RT 0250/100						100	150	250	
RT 0750/13	7500 N	12300 N	25	50		12.7	82.5	95.2	38-16-02
RT 0750/25	(1653)	(2711)				25	95.2	120.6	
RT 0750/38						38.1	107.9	146	
RT 0750/50						50	120.6	171.4	
RT 0750/63						63.5	133.3	196.8	
RT 0750/80						80	146	222.2	
RT 0750/100						100	171.4	273	

